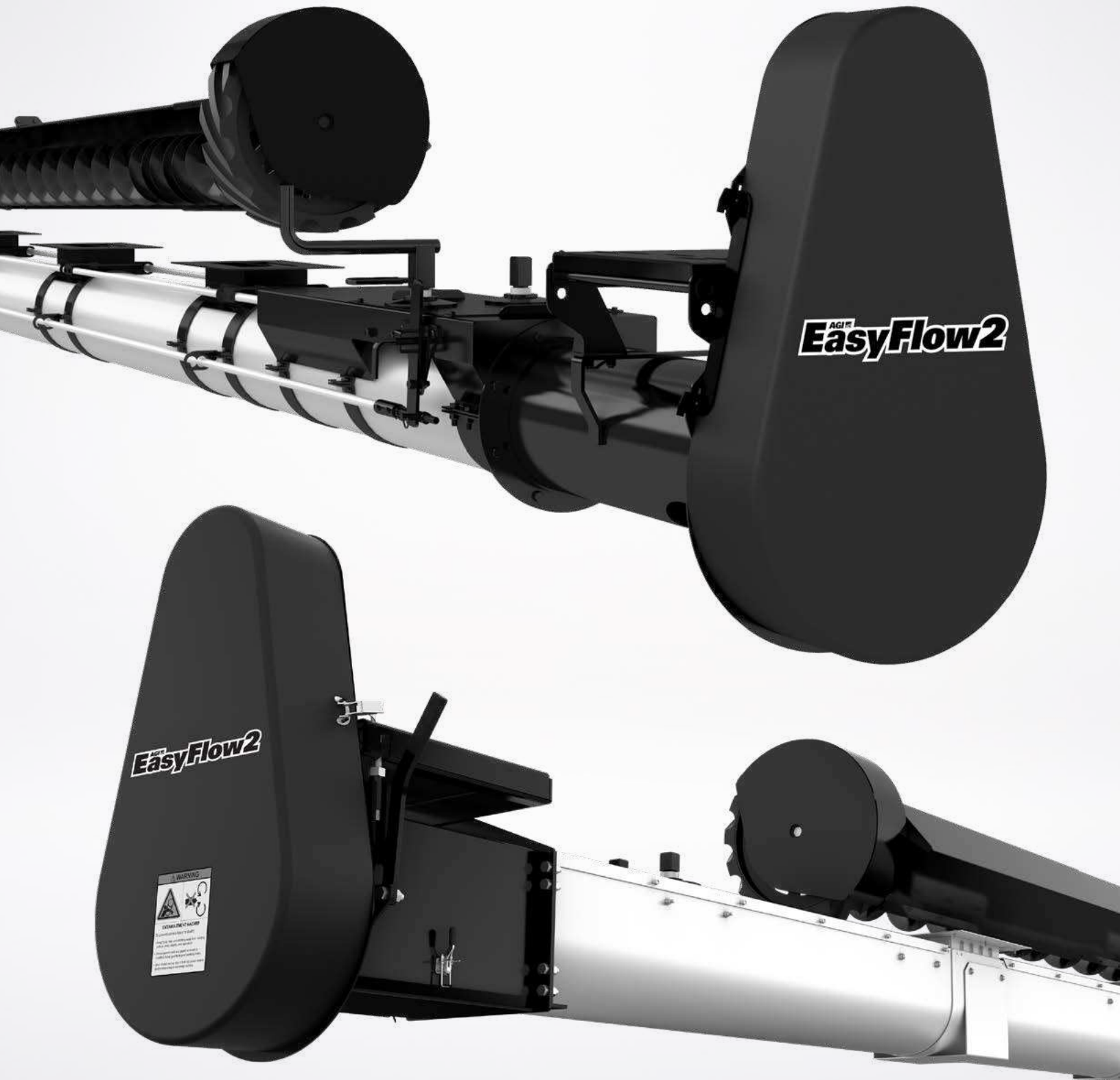


BIN UNLOADS



Bin unloads

AGI's unload systems are designed for the rigors of on-farm use and feature superior durability, strength and performance. Make grain clean-out easy and efficient with the AGI Tube or U-Trough unload systems.

Improved clean-out

- Aggressive wheel tread pattern and adjustable backboard allows the bin sweep to have a forceful advance into the grain pile for improved clean-out
- Each wheel is equipped with a unique fender, designed to redirect grain back into the sweep flighting, also improving clean-out along the bin wall

FEATURES

- Large double center gearbox with solid, common shaft for increased longevity
- Lower gearbox features internal shifting mechanism for safely engaging sweep from outside of the bin
- Easy maintenance provided by removing the unload flight without requiring to remove the motor or rest of the powerhead



Standard Output U-Trough unload

Available for bin sizes from 21' to 60' in diameter

5,000 – 7,500 BPH

AGI's Standard Output U-Trough unload has been reinforced with welded flanges and provides a strong, modular design. A heavy-duty motor mount on the powerhead can accommodate motor sizes from 5 HP to 20 HP. The system's main components are pre-assembled at the factory, allowing for easy field installation.

STANDARD ACCESSORIES

- 11" U-Trough complete with center and intermediate sumps and gates
- 1.5:1 double center gearbox with common, solid shaft
- 9" diameter, removable U-Trough flight
- Molded sweep end wheel with 14.8:1 reduction gearbox
- 7" diameter sweep flight
- Electric horizontal powerhead
- Powder coat finish

OPTIONAL ACCESSORIES

- Electric incline powerhead
- Hydraulic horizontal powerhead
- U-Trough extension kits (3', 4.5', 5', 6' & 9')



High Output U-Trough unload

Available for bin sizes from 24' to 60' in diameter

6,800 – 9,000 BPH

The reinforced trough design with welded flanges of AGI's U-Trough unload provides a modular and robust design. A heavy-duty motor mount on the powerhead can accommodate motor sizes from 5 HP to 20 HP. The system's main components are pre-assembled at the factory, allowing for easy field installation.

Center sump, gates and controls

- Extra-wide sump opening allows for higher capacity grain flow into the unload system
- UHMW (polyethylene) gate slide provides a low friction surface for easy opening and closing, and an improved gate seal over traditional rollers making the system ideal for small grains

Emergency sump

Standard E-sump, with independent controls, positioned near the center sump to allow for use in emergencies enabling the bin to be emptied if the center sump becomes blocked

STANDARD ACCESSORIES

- 11" U-Trough complete with center sump and emergency sump (E-sump)
- 1.5:1 double center gearbox with common, solid shaft
- 9" diameter, removable U-Trough flight
- Molded sweep end wheel with 14.8:1 reduction gearbox
- 8.66" diameter sweep flight
- Electric horizontal powerhead
- Powder coat finish

OPTIONAL ACCESSORIES

- Electric incline powerhead
- Hydraulic horizontal powerhead
- 7" diameter sweep flight
- U-Trough extension kits (3', 4.5', 5', 6' & 9')



Tube unload

Available for bin sizes from 24' to 60' in diameter

8" – 3,000 BPH | 10" – 5,000 BPH

AGI's Tube unload's heavy-duty end wheel with treads molded from high-density polyurethane means longer equipment life and less maintenance. A reinforced motor mount with improved mechanisms better accommodates motor sizes ranging from 5 HP to 20 HP.

STANDARD ACCESSORIES

8" Tube unload

- 8" diameter tubing complete with center and intermediate sumps and gates
- 1.5:1 double center gearbox with common, solid shaft
- 7" diameter, removable tube flight
- Molded sweep end wheel with 14.8:1 reduction gearbox
- 6" diameter sweep flight
- Electric horizontal powerhead
- Finish:
 - Galvanized coating on main tube, gates and control rods
 - Powder coat finish on remaining components

10" Tube unload

- 10" diameter tubing complete with center and intermediate sumps and gates
- 1.5:1 double center gearbox with common, solid shaft
- 9" diameter, removable tube flight
- Molded sweep end wheel with 14.8:1 reduction gearbox
- 7" diameter sweep flight
- Electric horizontal powerhead
- Finish:
 - Galvanized coating on main tube, gates and control rods
 - Powder coat finish on remaining components

OPTIONAL ACCESSORIES

8" & 10" Tube unload

- Electric incline powerhead
 - The incline used with the 8" tube unload is equipped with 10" diameter tubing and 9" flighting
 - The incline used with the 10" tube unload is equipped with 13" diameter tubing and 11.75" flighting
- Emergency sump (E-sump)



STANDARD OUTPUT U-TROUGH UNLOAD

	A	B	C	D			
BIN DIAMETER	TROUGH DISTANCE	HORIZONTAL DISTANCE	HORIZONTAL DISTANCE TO CENTER OF BIN	OVERALL LENGTH TO BIN CENTER	OVERALL UNLOAD LENGTH	# OF INTERMEDIATE SUMPS INCLUDED	SYSTEM HP REQUIREMENTS WITH 7" SWEEP
21'	40'	49'	175' 3"	191' 3"	197' 3"	1	5
24'	40'	49'	193' 3"	209' 3"	215' 3"	1	7.5
27'	40'	49'	211' 3"	227' 3"	233' 3"	2	7.5
30'	40'	49'	229' 3"	245' 3"	251' 3"	2	7.5
33'	40'	49'	247' 3"	263' 3"	269' 3"	2	7.5
36'	40'	49'	265' 3"	281' 3"	287' 3"	2	10
39'	40'	49'	283' 3"	299' 3"	305' 3"	3	10
42'	40'	49'	301' 3"	317' 3"	323' 3"	3	10
45'	40'	49'	319' 3"	335' 3"	341' 3"	3	15
48'	40'	49'	337' 3"	353' 3"	359' 3"	4	15
51'	40'	49'	355' 3"	371' 3"	377' 3"	4	15
54'	40'	49'	373' 3"	389' 3"	395' 3"	4	15
60'	40'	49'	409' 3"	425' 3"	431' 3"	4	20

1. U-Trough with 9" diameter flight up to 5,000 - 7,500 BPH

2. Sweep with 7" diameter flight up to 5,000 BPH (Based on free flowing grain through center sump and operating at 550 RPM; capacities may vary depending on grain type and condition)

HIGH OUTPUT U-TROUGH UNLOAD

	A	B	C	D				
BIN DIAMETER	TROUGH DISTANCE	HORIZONTAL DISTANCE	HORIZONTAL DISTANCE TO CENTER OF BIN	OVERALL LENGTH TO BIN CENTER	OVERALL UNLOAD LENGTH	# OF INTERMEDIATE SUMPS INCLUDED	SYSTEM HP REQUIREMENTS WITH 8.66" SWEEP	SYSTEM HP REQUIREMENTS WITH 7" SWEEP
24'	41'	50'	194'	210'	218' 6"	1	10	7.5
27'	41'	50'	212'	228'	236' 6"	1	10	10
30'	41'	50'	230'	246'	254' 6"	1	10	10
33'	41'	50'	248'	264'	272' 6"	2	10	10
36'	41'	50'	266'	282'	290' 6"	2	15	10
39'	41'	50'	284'	300'	308' 6"	2	15	10
42'	41'	50'	302'	318'	326' 6"	2	15	15
45'	41'	50'	320'	336'	344' 6"	2	15	15
48'	41'	50'	338'	354'	362' 6"	3	20	15
51'	41'	50'	356'	372'	380' 6"	3	20	15
54'	41'	50'	374'	390'	398' 6"	3	20	20
60'	41'	50'	410'	426'	434' 6"	3	20	20

1. U-Trough with 9" diameter flight up to 6,800 - 9,000 BPH

2. Sweep with 8.66" diameter flight up to 5,200 - 6,300 BPH (Based on free flowing grain through center sump and operating at 550 RPM; capacities may vary depending on grain type and condition)

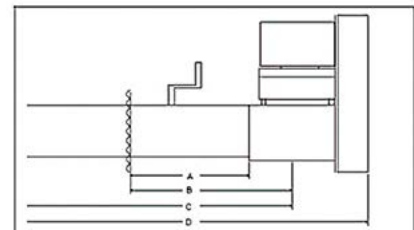
U-TROUGH PULLEY SIZES

UNLOAD PULLEY	DRIVE MOTOR PULLEY	FLIGHT SPEED (RPM)	BELT SIZE
15"	4-3/4"	554	B65
16"	4"	438	B65

HYDRAULIC POWERHEAD REQUIREMENTS

BIN DIAMETER	MOTOR DISPLACEMENT	TRACTOR FLOOD PRESSURE
21'-39'	62 CU. IN./REV	12 GPM 1700 PSI
42'-60'	9.6 CU. IN./REV	20 GPM 2200 PSI

TUBE + U-TROUGH UNLOAD SPECIFICATIONS IMAGE



TUBE UNLOAD

BIN DIAMETER	A		B		C		D		OVERALL UNLOAD LENGTH		# OF INTERMEDIATE SUMPS INCLUDED	
	TROUGH DISTANCE		HORIZONTAL DISTANCE		HORIZONTAL DISTANCE TO CENTER OF BIN		OVERALL LENGTH TO BIN CENTER					
	8"	10"	8"	10"	8"	10"	8"	10"	8"	10"	8"	10"
24'	33"	33"	56"	55"	198' 6"	197' 3"	210' 9"	211' 9"	218' 2"	219' 2"	2	2
25'	27"	27"	50"	49"	198' 6"	197' 3"	210' 9"	211' 9"	218' 2"	219' 2"	2	2
27'	33"	33"	56"	55"	216' 6"	215' 3"	228' 9"	229' 9"	236' 2"	237' 2"	2	2
30'	33"	33"	56"	55"	234' 6"	233.3"	246' 9"	247' 9"	254' 2"	255' 2"	2	2
33'	33"	33"	56"	55"	252' 6"	251' 3"	264' 9"	265' 9"	272' 2"	273' 2"	3	3
36'	33"	33"	56"	55"	270' 6"	269' 3"	282' 9"	283' 9"	290' 2"	291' 2"	3	3
39'	33"	33"	56"	55"	288' 6"	287' 3"	300' 9"	301' 9"	308' 2"	309' 2"	3	3
42'	33"	33"	56"	55"	306' 6"	305' 3"	318' 9"	319' 9"	326' 2"	327' 2"	4	4
45'	33"	33"	56"	55"	324' 6"	323' 3"	336' 9"	337' 9"	344' 2"	345' 2"	4	4
48'	33"	33"	56"	55"	342' 6"	341' 3"	354' 9"	355' 9"	362' 2"	363' 2"	4	4
54'	33"	33"	56"	55"	378' 6"	377' 3"	390' 9"	391' 9"	398' 2"	399' 2"	5	5
60'	33"	33"	56"	55"	414' 6"	413' 3"	426' 9"	427' 9"	434' 2"	435' 2"	5	5

1. 8" tube with 7" diameter flight up to 3,000 BPH

2. 10" tube with 9" diameter flight up to 5,000 BPH (Based on free flowing grain through center sump opening and operating at 550 RPM; capacities may vary depending on grain type and condition)

ELECTRIC MOTOR REQUIREMENTS

BIN DIAMETER	8" TUBE UNLOADS (WITH SWEEP)		10" TUBE UNLOADS (WITH SWEEP)	
	HORIZONTAL HP	INCLINE HP	HORIZONTAL HP	INCLINE HP
24'	5	7.5	7.5	10
27'	5	7.5	10	10
30'	5	7.5	10	10
33'	5	7.5	10	15
36'	7.5	10	10	15
39'	7.5	10	10	15
42'	7.5	10	15	15
45'	10	10	15	15
48'	10	10	15	20
54'	10	15	20	20
60'	10	15	20	20

TUBE UNLOAD PULLEY SIZES

TYPE	RECOMMENDED SIZES				
	AUGER PULLEY	MOTOR PULLEY	# OF GROOVES	BELT SIZE	FLIGHT SPEED (RPM)
8" HORIZONTAL	12.7"	3.375"	2	B54	465
	12.7"	3.875"	2	B54	534
8" INCLINE	15"	3.375"	2	B62	394
	15"	3.75"	2	B62	438
	15"	4.75"	2	B62	554
10" HORIZONTAL	15"	3.375"	2	B62	394
	15"	3.75"	2	B62	438
	15"	4.75"	2	B62	554
10" INCLINE	16"	3.375"	3	B67	369
	16"	3.75"	3	B67	410
	16"	4.75"	3	B67	520



AGI is a leading provider of equipment solutions for agriculture bulk commodities including seed, fertilizer, grain, and feed systems with a growing platform in providing equipment and solutions for food processing facilities. AGI has manufacturing facilities in Canada, the United States, the United Kingdom, Brazil, India and Italy and distributes its products globally.



AGI Rosenort Box 39 Rosenort, Manitoba, Canada R0G 1W0
 204.746.2396 | 1.866.467.7207

AGGROWTH.COM aggrowthintl 